



Securifor® & Rectangular Posts

Installation Manual

0. Content

- **1. The components of the fencing system**
 - 1.1 posts
 - 1.2 spider fixators
 - 1.3 cover plates
 - 1.4 neoprene strips
 - 1.5 anchor systems
 - 1.6 the U-profile
 - 1.7 the Securifor panels
 - 1.8 posts with base plates

- **2. Installation of Securifor with rectangular posts**
 - General rules for the installation
 - Install foundations
 - Install post
 - Install panels / 3 ways of installation:
 - With spider fixators
 - Panel types / post drilling pattern
 - Positioning of post & panels
 - Steps of installation
 - With cover plates & panels in overlap
 - Panel types / post drilling pattern
 - Positioning of post & panels
 - Steps of installation
 - With cover plates & panels next to each other
 - Panel types / post drilling pattern
 - Positioning of post & panels
 - Steps of installation

- **3. Options**
 - Extra security
 - Special cases

1. The components of the fencing system

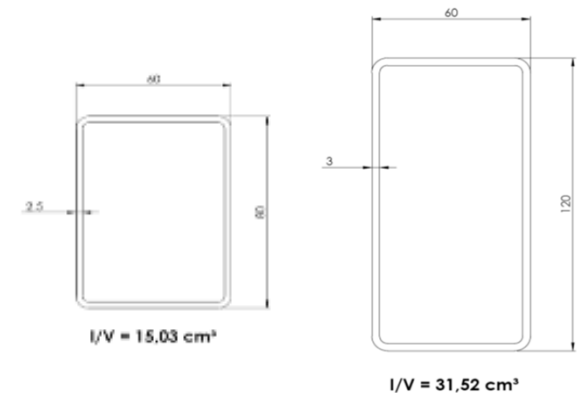
- 1.1 posts
- 1.2 spider fixators
- 1.3 cover plates
- 1.4 neoprene strips
- 1.5 anchor systems
- 1.6 the U-profile
- 1.7 the Securifor panels
- 1.8 posts with base plates

1. The components of the fencing system

■ 1.1 The posts:

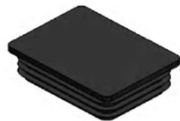
Profiles:

- 80 x 60 x 2,5 mm
- 120 x 60 x 3 mm



→ The section of the post depends on the height of the fence, or can be made to special requirements of the customer

Types:

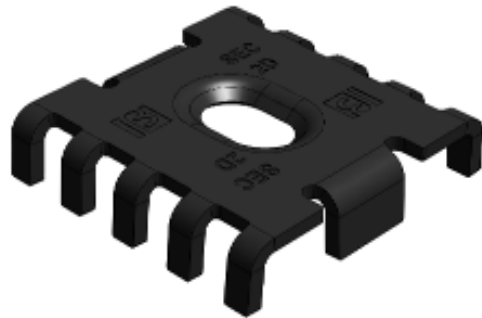
- Intermediate, end and corner posts
 - Posts are foreseen of the appropriate holes and inserts depending on the way of installation (see 3 ways of installation)
 - Posts are covered with plastic caps
- 
- Posts are standard without base plate. Posts with base plates are available on request

1. The components of the fencing system

■ 1.2 The spider fixators:

Types of fixators:

- 58 x 55,8 x 14 mm
- For Securifor 2D & Securifor 4D
- 57,4 x 55,8 x 9,5 mm
- For Securifor flat & Securifor 3D



SEC42P000003



SEC42P000004

- Depending on the type of panel
(No fixator for Securifor Super 6)
- Spider fixators are fixed with one-way cross recess button head screws M8x40 + PA6 washers M8



1. The components of the fencing system

■ 1.3 The cover plates:

- 60 x 6 mm



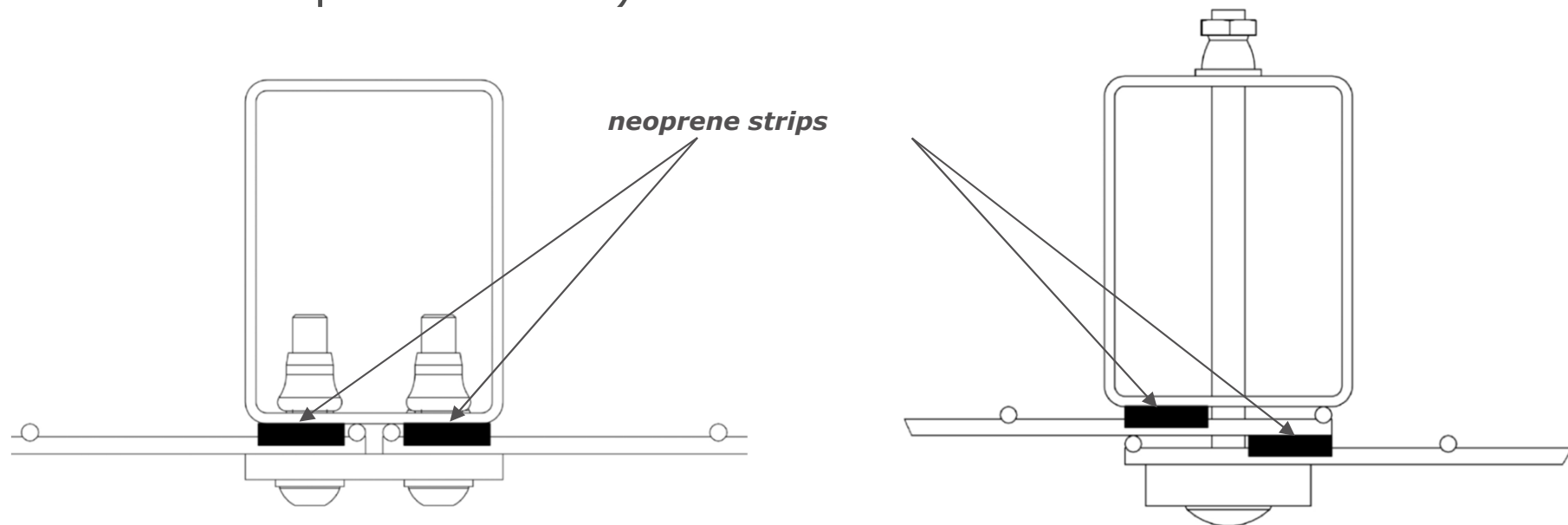
- Hole pattern depending on the way of installation (see 3 ways of installation)
- Height of the cover plates is similar to the panel height (2, 2.4 and 3m), except for 4 meter panels (2m + 2m)
- Cover plates are fixed with Mushroom Head Squareneck bolts M8 (DIN 603) with washer and self-breaking nut or with one-way cross recess button head screws M8x40 (or M6x40) and washer, all in stainless steel (type and length of the screw is also depending on the way of installation)



1. The components of the fencing system

■ 1.4 The neoprene strips:

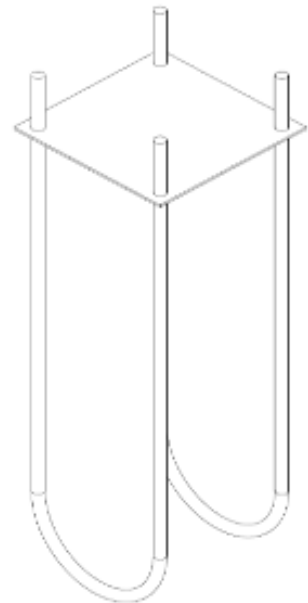
- Self-adhesive strip 20 x 5 x 600 mm
- Strips are on the right length to fit between two inserts on a post
- Strips are placed as indicated in drawings below
- Used for sound reduction when panels are trembling and for flatness of installation
- Cover plates are standard installed with neoprene strips (they are not used with spider fixators)



1. The components of the fencing system

■ 1.5 The anchor systems:

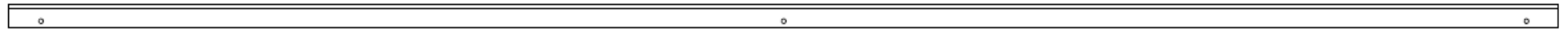
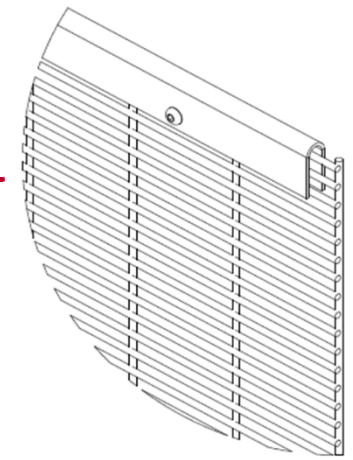
- For posts with a welded base plate
- The foundation anchorage set is mainly used for MTO projects and is not common
- The anchor system makes it possible to level the posts with use of the threaded rods, nuts and washers. It also enhances the rigidity of the fencing system because of its installation in concrete
- Dimensions:
 - Depth 460 mm, plate 200 x 200 x 4 mm, M12 → SEC33A000001
 - Depth 700 mm, plate 230 x 230 x 4 mm, M16 → SEC33A000002
 - Depth 925 mm, plate 300 x 300 x 4 mm, M20 → SEC33A000003
- As a standard solution, also mechanical or chemical anchor bolts can be used.
Check the strength specifications on the packaging.



1. The components of the fencing system

■ 1.6 the U-profile:

- U dimension: 35 x 13 mm, thickness 2mm
- Length of U-profile is standard 2420mm
- Drawing: SEC49P000006



- U-profiles are used for the reinforcement of the upper side of the Securifor panels. As alternative, L-profiles can be used (only MTO)
- A general rule is that flat Securifor panels (SEC50P00000X) should always be installed with U-profiles on top, regardless of the way of installation
- Possible to use with SEC FLAT and SEC 3D
- U-profiles are fixed with Hexagon Socket Button Head Screws M6x25 (ISO 7380), M6 washers and nuts, all in stainless steel



ISO 7380

1. The components of the fencing system

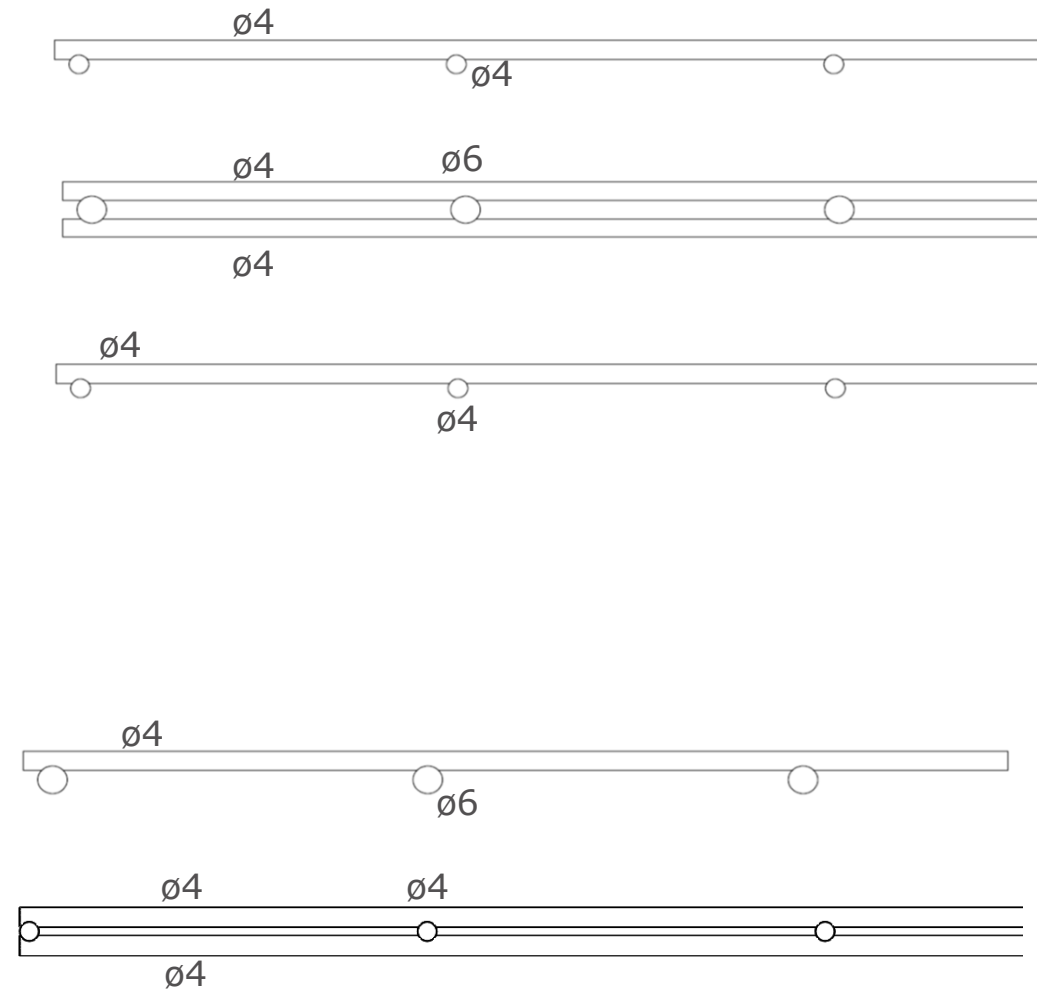
■ 1.7 The Securifor panels:

- Securifor
- Securifor 2D
- Securifor 3D
- Securifor Super 6
- Securifor 4D

SIDE VIEW



TOP VIEW



1. The components of the fencing system

■ 1.7 The Securifor panels:

Post profile (mm)**	Height fence (mm)	Height post (mm)	Number of holes *
80 x 60 x 2,50	2000	2600	8/9
80 x 60 x 2,50	2400	3100	9/10
80 x 60 x 2,50	3000	3700	10/11
120 x 60 x 3,00	4004	4800	12/16

* Depending on the way of installation (see 3 ways of installation)

** The post profile can be adapted to specific requirements of the installation. The engineering department should be consulted for more information.

STANDARD DIMENSIONS OF THE SECURIFOR PANELS

panel height	Securifor	Securifor 2D	Securifor 3D	Securifor 4D	Securifor Super 6
finishing	PES / Zincalu super	PES	PES	PES	Zincalu super
2000 mm	x	x	x	x	
2400 mm	x	x	x	x	
3000 mm	x	x	x		
4004 mm	x				

Other dimensions are possible for major quantities on request.

1. The components of the fencing system

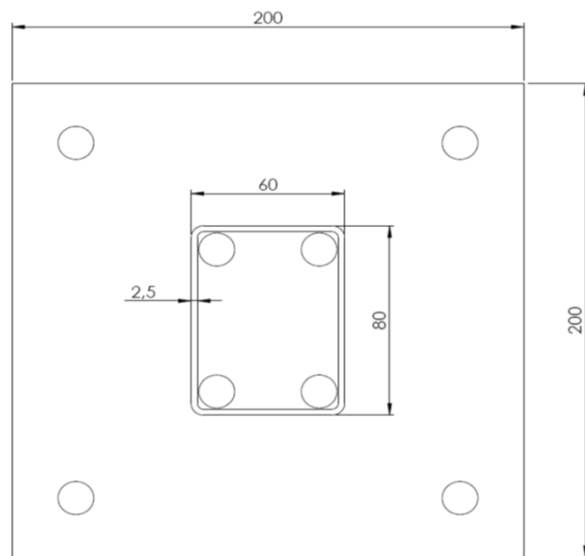
■ 1.8 Base plates:

— Dimensions:

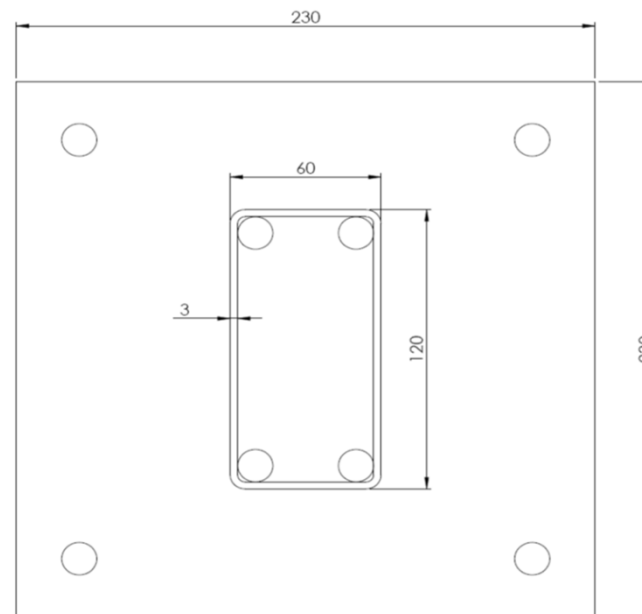
- For 80 x 60 x 2,5 mm post → 200 x 200 x 12 mm base plate
- For 120 x 60 x 3 mm post → 230 x 230 x 15 mm base plate

— Rectangular posts with base plates are always MTO

— Remark that the size and thickness of the base plate is important for stability and should be checked for each project



SEC33P003001



SEC33P003002

▪ **2. Installation of Securifor with rectangular posts**

- General rules for the installation
- Install foundations
- Install post
- Install panels / 3 ways of installation:
 - With spider fixators
 - Panel types / post drilling pattern
 - Positioning of post & panels
 - Steps of installation
 - With cover plates & panels in overlap
 - Panel types / post drilling pattern
 - Positioning of post & panels
 - Steps of installation
 - With cover plates & panels next to each other
 - Panel types / post drilling pattern
 - Positioning of post & panels
 - Steps of installation

2. Installation of Securifor with rectangular posts

- **General rules:**

1. For the installation of flat Securifor, regardless of the way of installation, a U-profile on top is required.
2. For the installation of flat Securifor with spider fixators, also a fixation at the bottom is required. (see slide 50 for solutions for a fixation at the bottom)
3. For flat Securifor with cover plates, a fixation at the bottom is advised.
4. For the installation of Securifor 2D/3D panels no bottom fixation or U-profile on top is required, unless for security reasons.

2. Installation of Securifor with rectangular posts

■ Install foundations:

— Preparation of the site

- To obtain the best results, it is recommended to clear (remove trees, branches, rocks, stones...) and level the area of the fence line over its full length

— Foundation dimensions:

Height fence (m)	Post section (mm)	Post length (m)	Foundation dimensions (cm)
2m00	80 x 60 x 2,5	2m60	45 x 45 x 90
2m40	80 x 60 x 2,5	3m10	45 x 45 x 90
3m00	80 x 60 x 2,5	3m70	45 x 45 x 90
4m00	120 x 60 x 3	4m80	60 x 60 x 90

- Foundation dimensions are for normal European situations. You are advised to consult a specialist structural engineer to evaluate extraordinary wind load, local ground condition or any other special requirements. The dimensions of the foundation (concrete quality B30 is recommended) are related to the chosen height of the fence and/or the post.
- When posts are installed directly into concrete, the long posts need to be supported during curing of the concrete for as long as necessary.

2. Installation of Securifor with rectangular posts

■ Install foundations:

- Tension a wire over the complete length of the installation, to make sure the posts are installed in a straight line
- Measure the distance between the holes, for the correct interdistance see slide 21
- Dig a hole with the right depth (average 900mm)



2. Installation of Securifor with rectangular posts

■ Install posts:

- Lift up the post and bring into the foundation hole
- Position the posts at the correct distance. If possible, use a wooden template to have a perfect installation
- Level the post so that you obtain a correct horizontal line of the fence (fix a bolt in every post to hold the template)
- A laser can also be used to determine the correct height of the posts



2. Installation of Securifor with rectangular posts

- **Install posts:**
 - Level the post vertically
 - Fill up the foundation hole with concrete

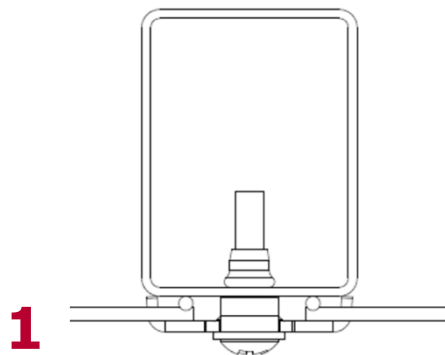


2. Installation of Securifor with rectangular posts

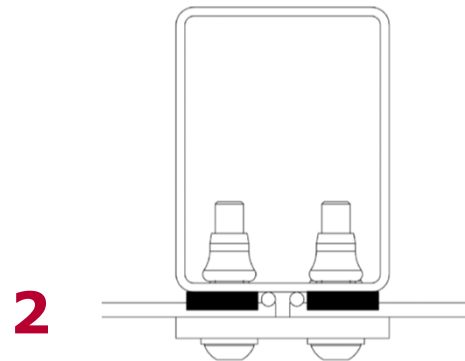
■ Install panels:

3 ways of installation

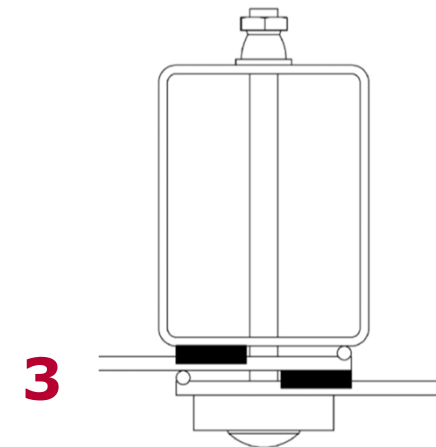
1. Installation with spider fixators = standard
2. Installation with cover plates – panels next to each other = MTO
3. Installation with cover plates – panels in overlap = MTO
(2 possibilities : panels in same direction – panels alternately rotated 180°)



post interdistance
2550 mm
(+8/-8)



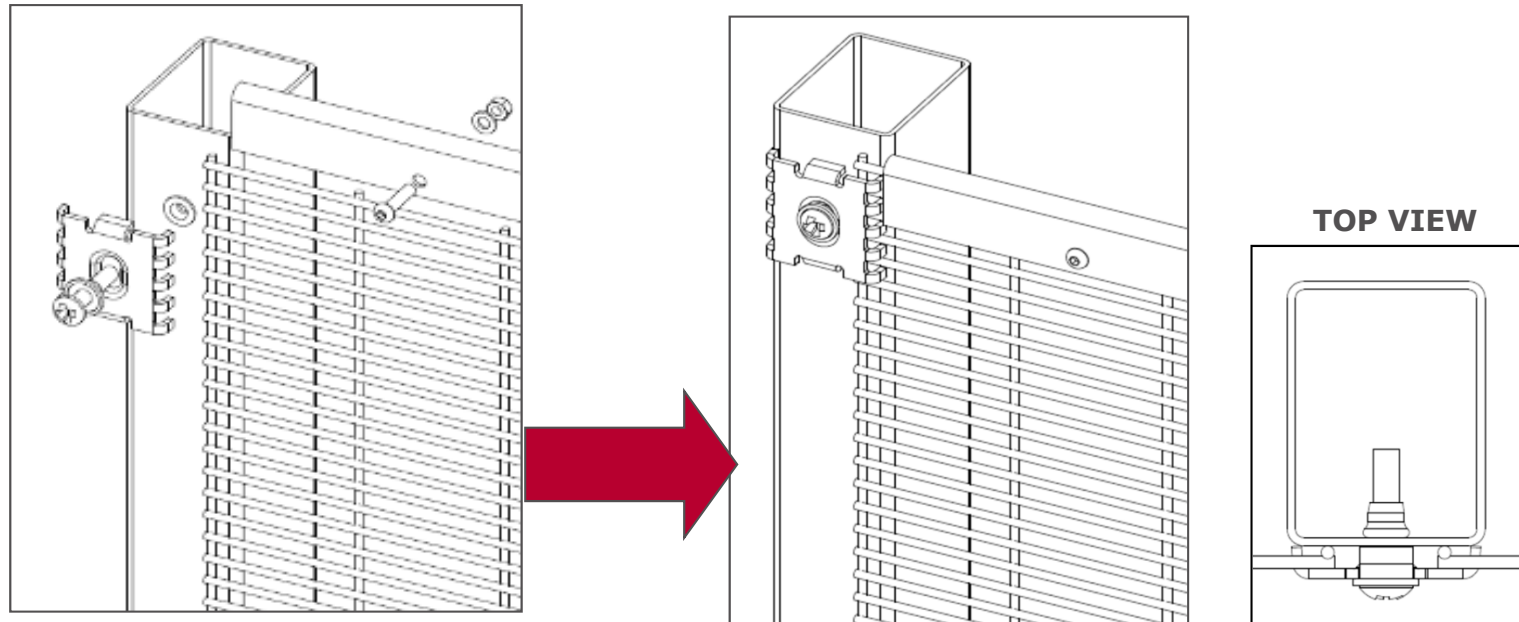
post interdistance
2520 mm
(+1/-1)



post interdistance
2485 mm
(+13/-13)

2. Installation of Securifor with rectangular posts

■ Installation with spider fixators:



— Types of panels to be installed:

- Securifor 3D
 - Securifor
- } fixator SEC42P000003

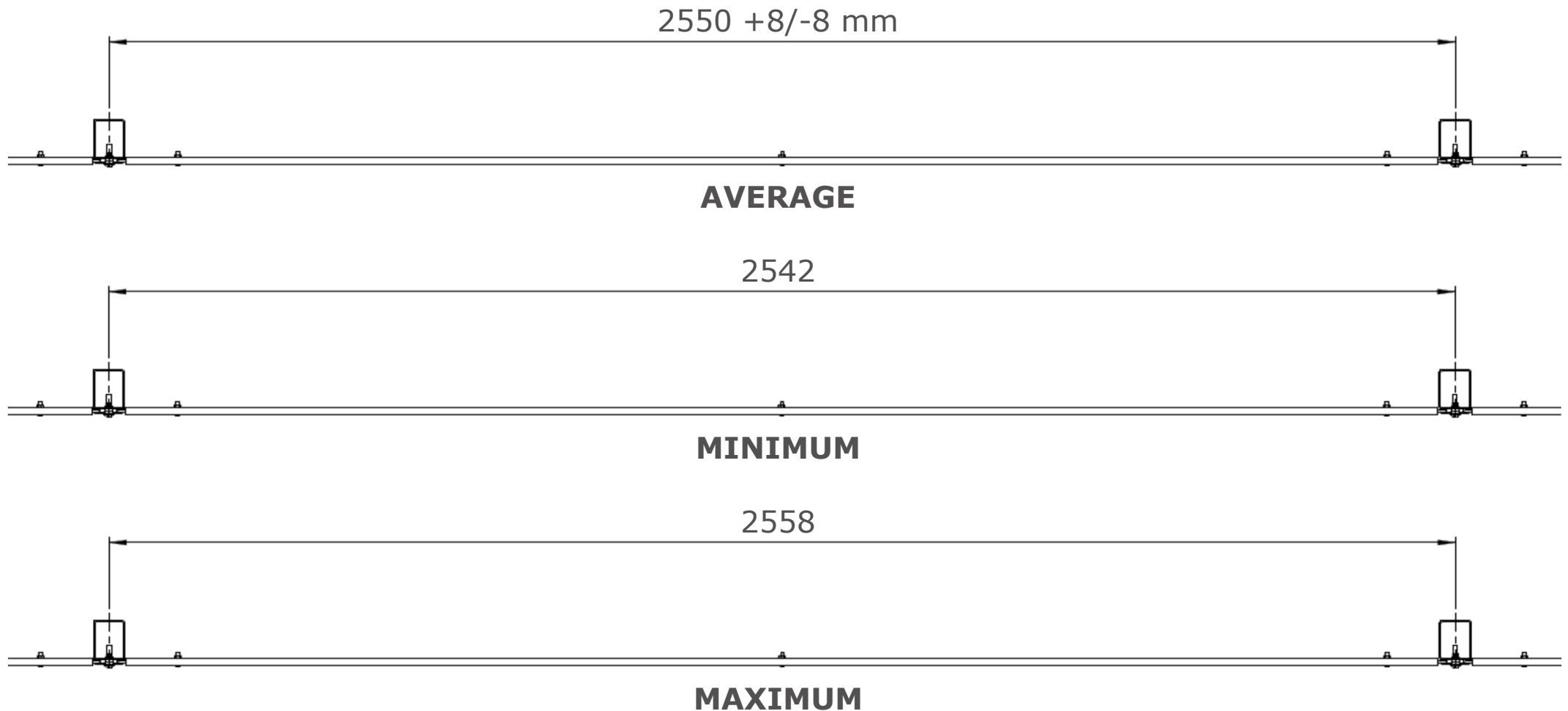
flat Securifor with spider fixators always with U-profile on top + fixation at the bottom!

- Securifor 2D
 - Securifor 4D
- } fixator SEC42P000004

SEC31P5002XX

2. Installation of Securifor with rectangular posts

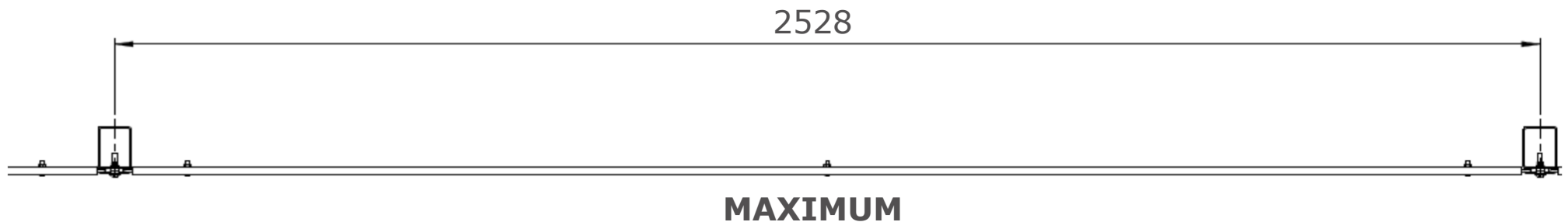
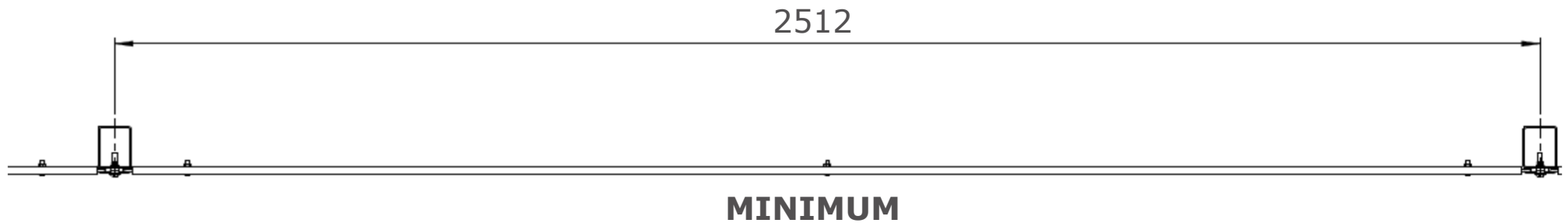
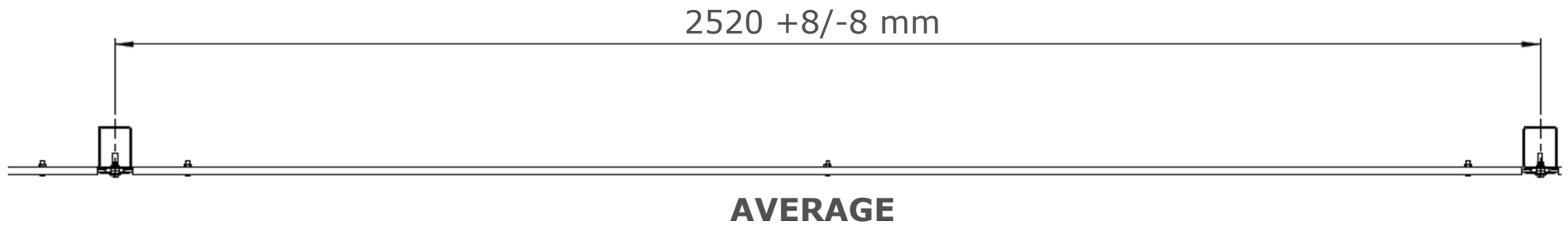
- **Installation with spider fixators:**
 - Positioning of the intermediate posts:



2. Installation of Securifor with rectangular posts

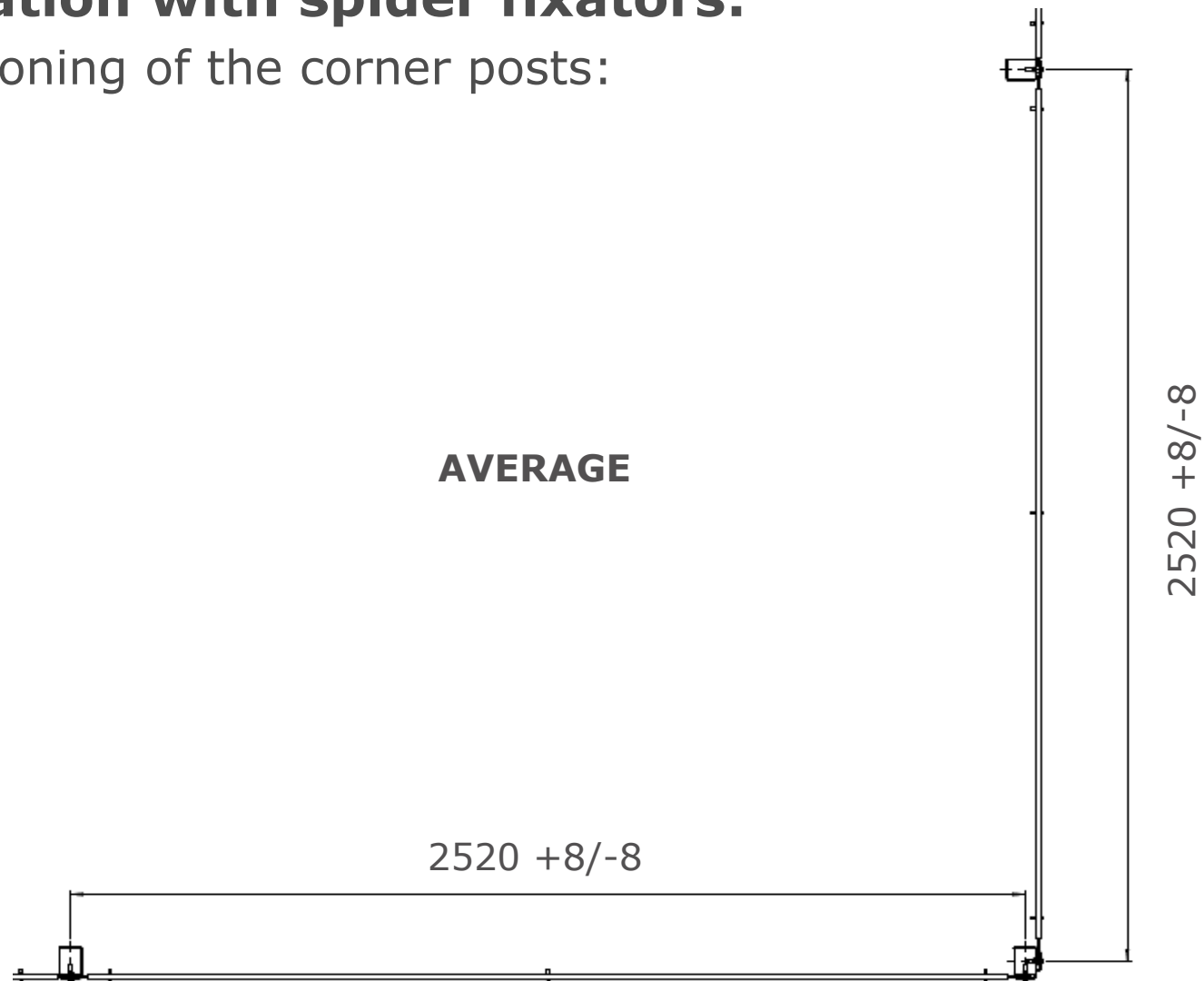
- **Installation with spider fixators:**

- Positioning of the end posts:



2. Installation of Securifor with rectangular posts

- **Installation with spider fixators:**
 - Positioning of the corner posts:



2. Installation of Securifor with rectangular posts

- Installation with spider fixators:



2. Installation of Securifor with rectangular posts

- **Installation with spider fixators:**

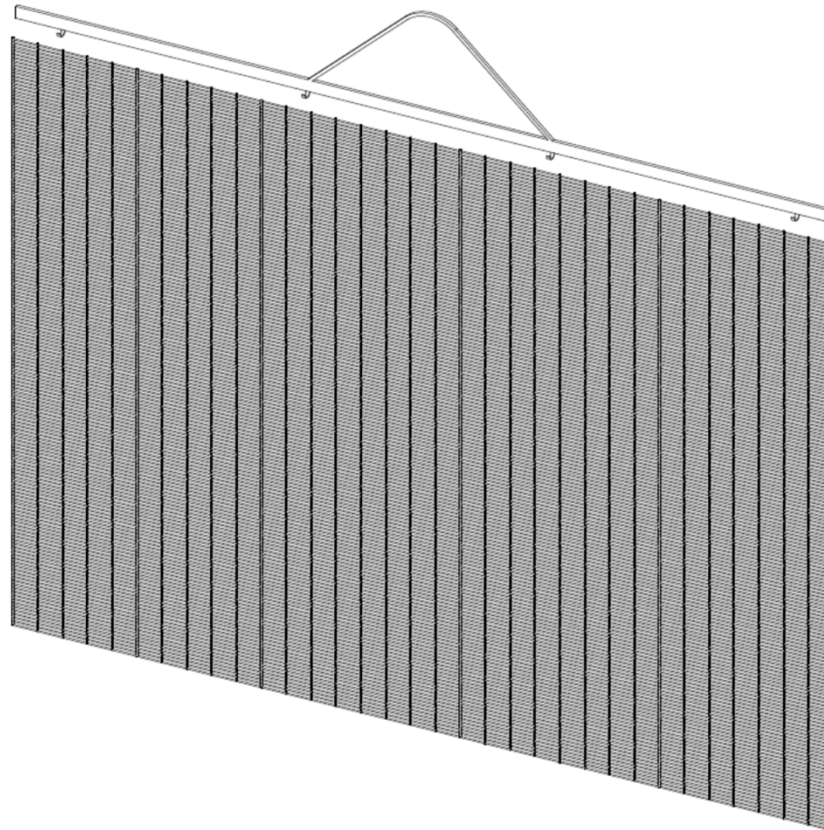
- Install the panels

- 1. Lift up the panel

- Lifting the panel can be done by hand for the lower range or by using a crane for bigger heights.

- Make sure the panel is lifted on multiple points** so it can not fold in the middle.

- Preferably use a triangle shaped slat to take up the panel in a flat way.



2. Installation of Securifor with rectangular posts

■ Installation with spider fixators:

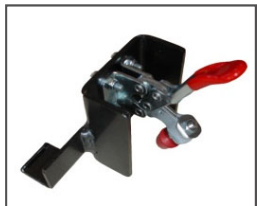
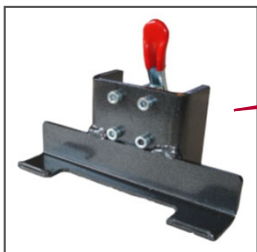
— Install the panels

2. Use the installation tool to hang the panel on

The installation tool makes it possible to support the panel in a perfect position, align it horizontally and screw the fixators to the posts without having to hold the panel manually. It can be removed before the last fixator on top of the post is screwed. (For ease of installation, you need 3 pieces)

3. With installation tool

1. Hang the first panel and install 2 fixators on the first post (top & bottom)
2. By using the installation tool on the first 3 posts, you can now already hang the second panel! Install 2 fixators on the second post (top & bottom)
3. Install all other fixators on the first post. If the level is checked and ok, fix the bolts properly
4. Change the installation tool from the first to the fourth post and hang up the third panel. Install 2 fixators on the third post (top & bottom)
5. Install all fixators to the second post
6. For the next post and panels: repeat the steps as described above



2. Installation of Securifor with rectangular posts

■ Installation with spider fixators:

– Install the panels

4. Without installation tool

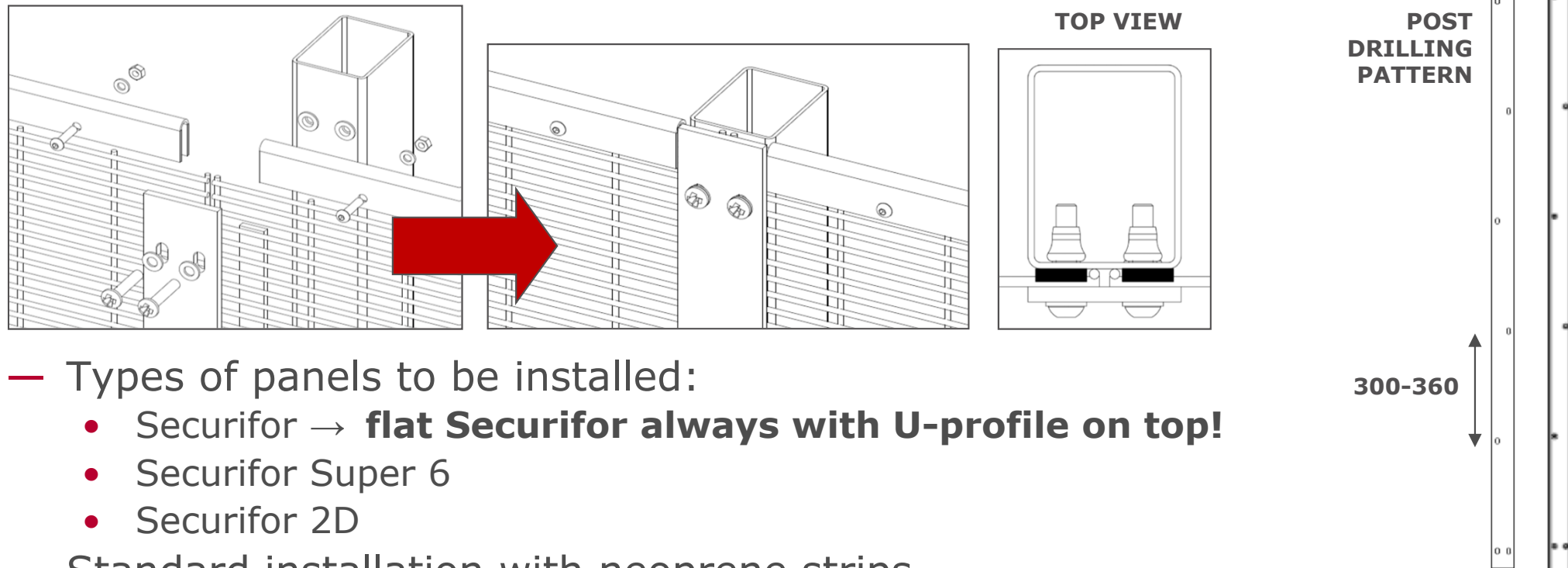
1. Hang the first panel and install 2 fixators on the first post (top & bottom)
2. Install 2 fixators on the second post. Make sure you leave +/-1cm distance between the fixator and the post, so a second panel can be added afterwards
3. Install all other fixators on the first post. If the level is checked and ok, fix the bolts properly
4. Install the second panel. Screw the 2 fixators on the second post and fix 2 fixators on the third post (top & bottom) with +/-1cm opening
5. Install all fixators to the second post
6. For the next posts and panels: repeat the steps as described above

It's required to finish the installation with U-profiles when flat Securifor is used. For installation of flat Securifor with spider fixators, it's also required to add a fixation at the bottom! (See page 50 for possible solutions)



2. Installation of Securifor with rectangular posts

■ Installation with cover plates – panels next to each other:



— Types of panels to be installed:

- Securifor → **flat Securifor always with U-profile on top!**
- Securifor Super 6
- Securifor 2D

— Standard installation with neoprene strips

- #### — Standard installation with cover plate screwed at one side of the post with bolts ISO 7380 M8x40, washer and insert M8 into the post. If necessary, bolts can also be mounted through the post.

2. Installation of Securifor with rectangular posts

- **Installation with cover plates – panels next to each other:**

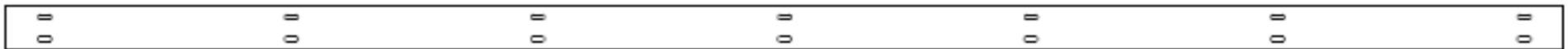
- Alternative fixation with M6 bolts

In some cases, it is preferred to use M6 bolts for ease of installation. The cover plate will then be foreseen of a double row of sleeve holes, so more bolts can be fixed.

M8 – alternating holes

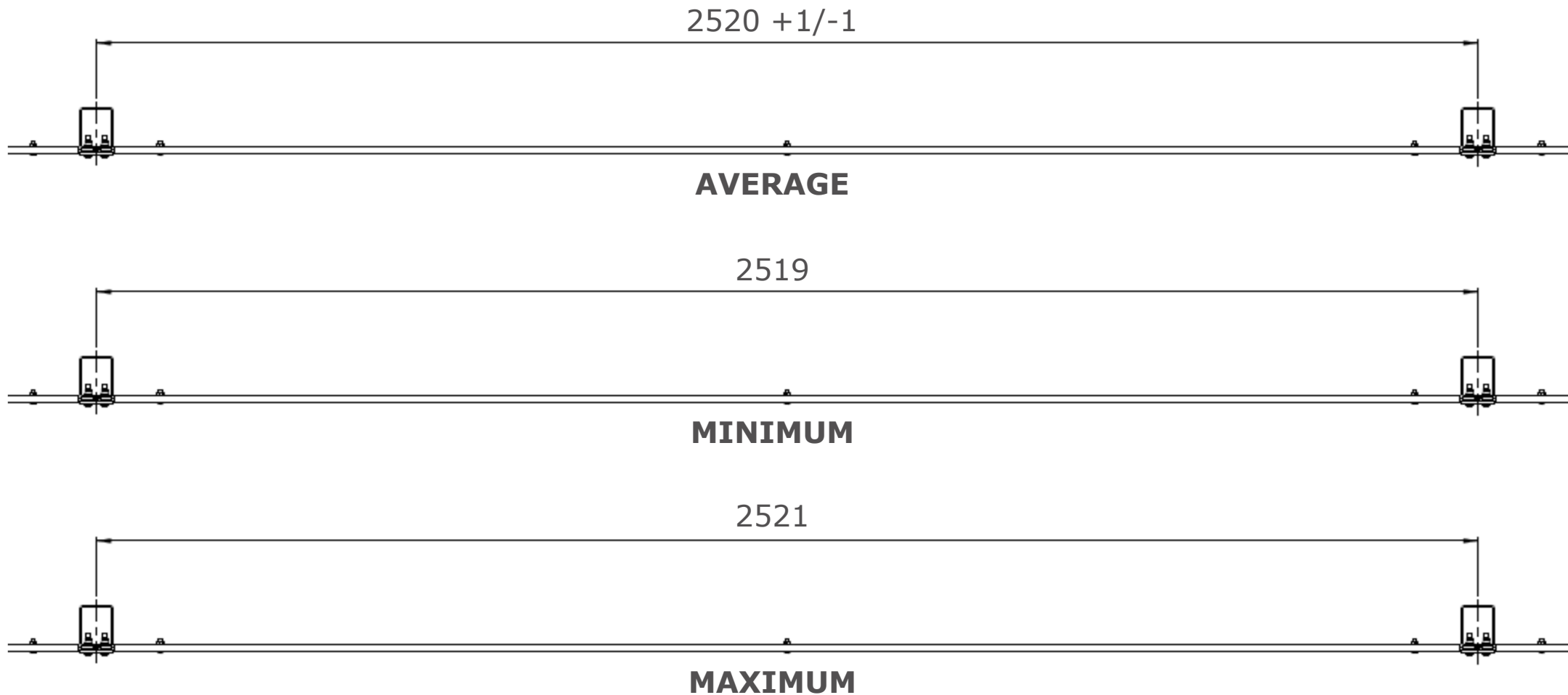


M6 – double row of holes



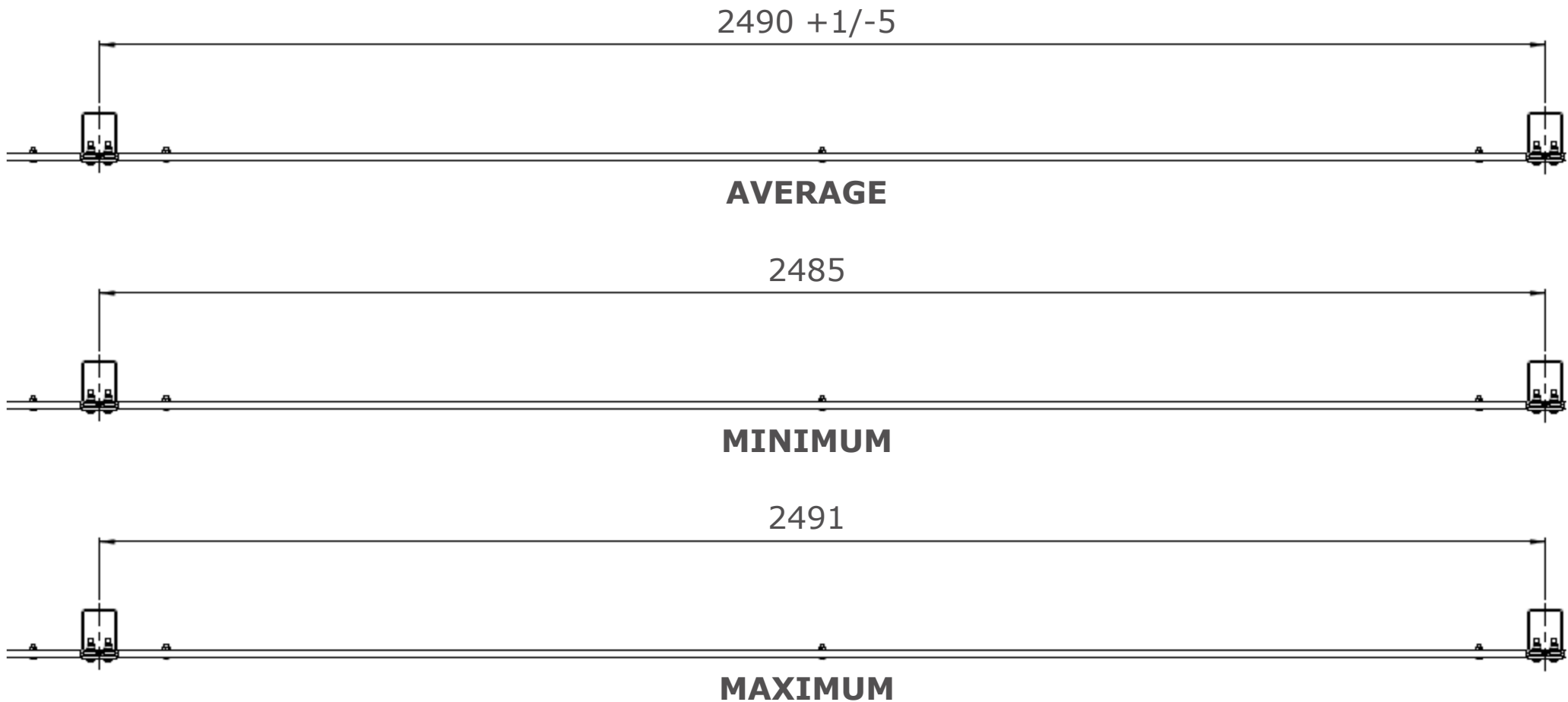
2. Installation of Securifor with rectangular posts

- **Installation with cover plates – panels next to each other:**
 - Positioning of the intermediate posts:



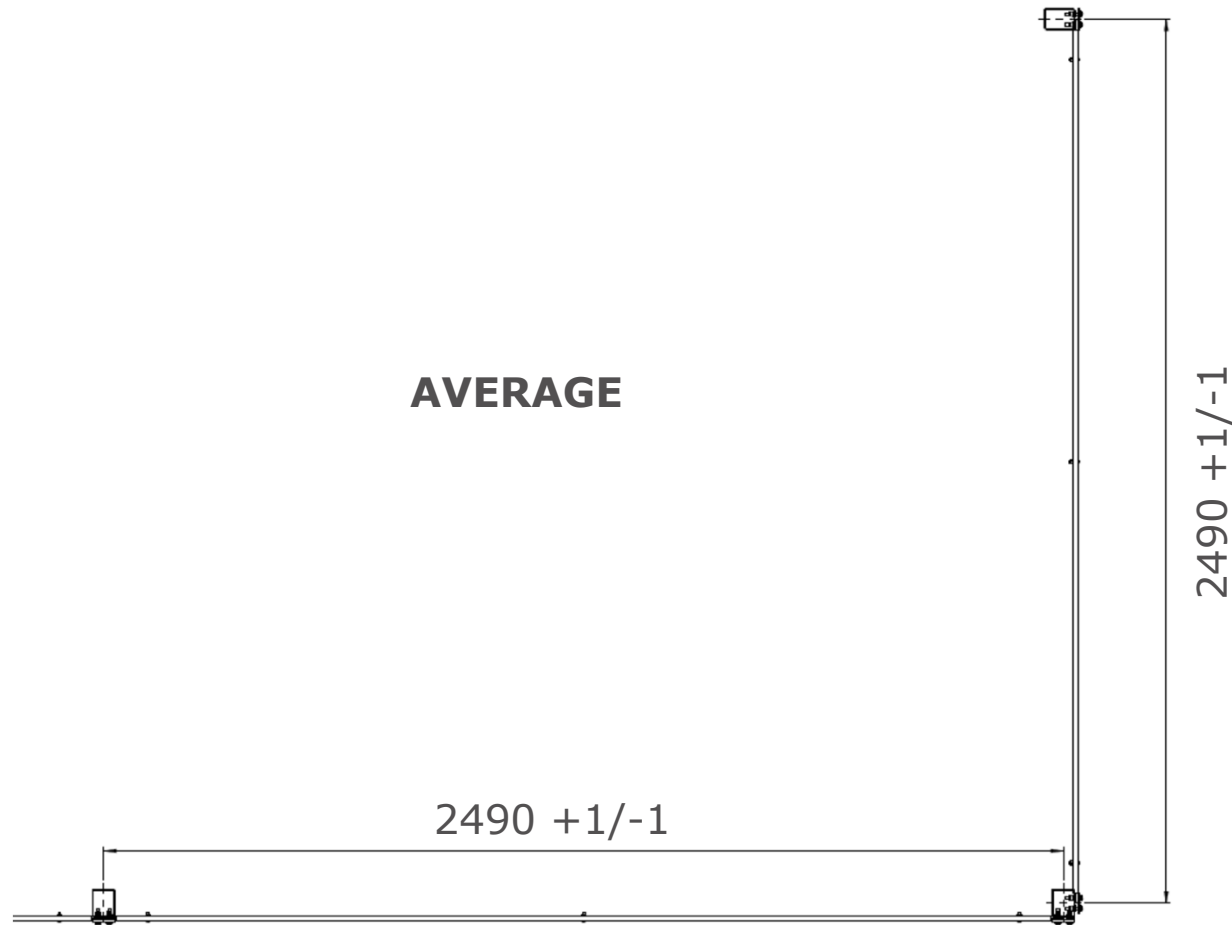
2. Installation of Securifor with rectangular posts

- **Installation with cover plates – panels next to each other:**
 - Positioning of the end posts:



2. Installation of Securifor with rectangular posts

- **Installation with cover plates – panels next to each other:**
 - Positioning of the corner posts:



2. Installation of Securifor with rectangular posts

- Installation with cover plates – panels next to each other:



2. Installation of Securifor with rectangular posts

- **Installation with cover plates – panels next to each other:**

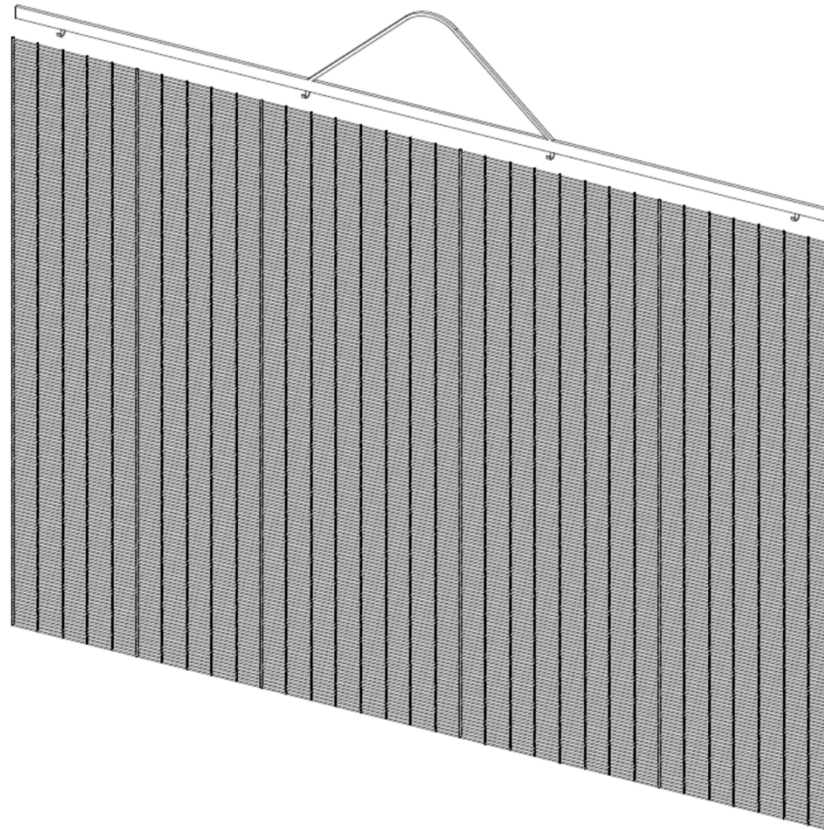
- Install the panels

1. Lift up the panel

Lifting the panel can be done by hand for the lower range or by using a crane for bigger heights.

Make sure the panel is lifted on multiple points so it can not fold in the middle.

Preferably use a triangle shaped slat to take up the panel in a flat way.



2. Installation of Securifor with rectangular posts

■ Installation with cover plates – panels next to each other:

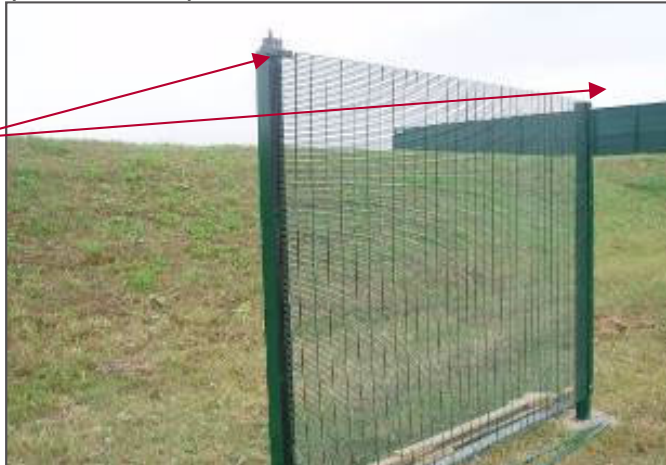
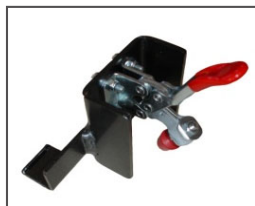
– Install the panels

2. Use the installation tool to hang the panel on

The installation tool makes it possible to support the panel in a perfect position, align it horizontally and screw the fixators to the posts without having to hold the panel manually. It can be removed before the last bolt on top of the post is screwed. (For ease of installation, you need 3 pieces)

3. With installation tool

1. First glue the neoprene strips between the inserts on the front side of the posts
2. Hang the first panel and install a cover plate on the first post with 2 bolts (top & bottom)
3. By using the installation tool on the first 3 posts, you can now already hang the second panel! Install a cover plate on the second post with 2 bolts (top & bottom)
4. Install all other bolts on the first post. If the level is checked and ok, fix the bolts properly
5. Change the installation tool from the first to the fourth post and hang up the third panel. Fix a cover plate to the third post with 2 bolts (top & bottom)
6. Install all other fixators to the second post
7. For the next posts and panels: repeat the steps as described above



2. Installation of Securifor with rectangular posts

■ Installation with cover plates – panels next to each other:

Install the panels

4. Without installation tool

1. First glue the neoprene strips between the inserts on the front side of the posts
2. Hang the first panel and install a cover plate on the first post with 2 bolts (top & bottom)
3. Temporarily fix the panel with a bolt to the second post.
4. Install all other bolts on the first post. If the level is checked and ok, fix the bolts properly
5. Install the second panel. Remove the bolt on the second post and put a cover plate in place. Fix with 2 bolts. Temporarily fix a bolt to the third post
6. Install all bolts to the second post
7. For the next posts and panels: repeat the steps as described above

It's required to finish the installation with U-profiles when flat Securifor is used, and it's also advised to add a fixation at the bottom (see page 50 for possible solutions).



2. Installation of Securifor with rectangular posts

- **Installation with cover plates – panels next to each other:**

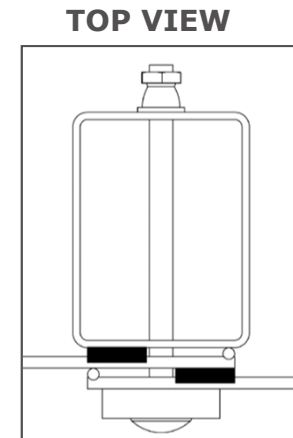
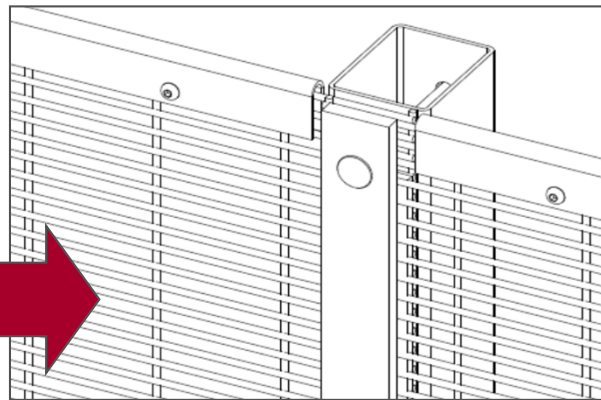
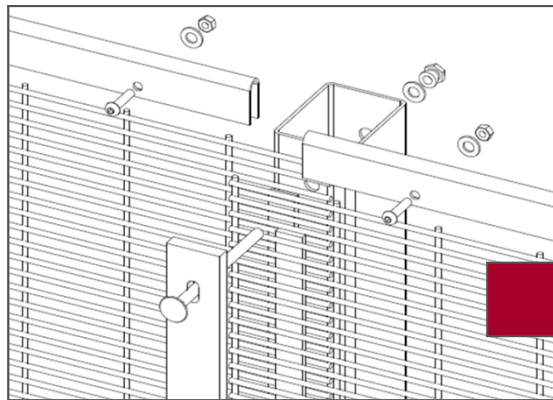
- Remark

In some cases it can be harder to find the holes for the bolts when installing the cover plates. For ease of installation, it's allowed to use a 'secure' awl or screwdriver to slightly bow the wires of the panel, so the bolts can be mounted.



2. Installation of Securifor with rectangular posts

- Installation with cover plates – panels in overlap & in same direction:



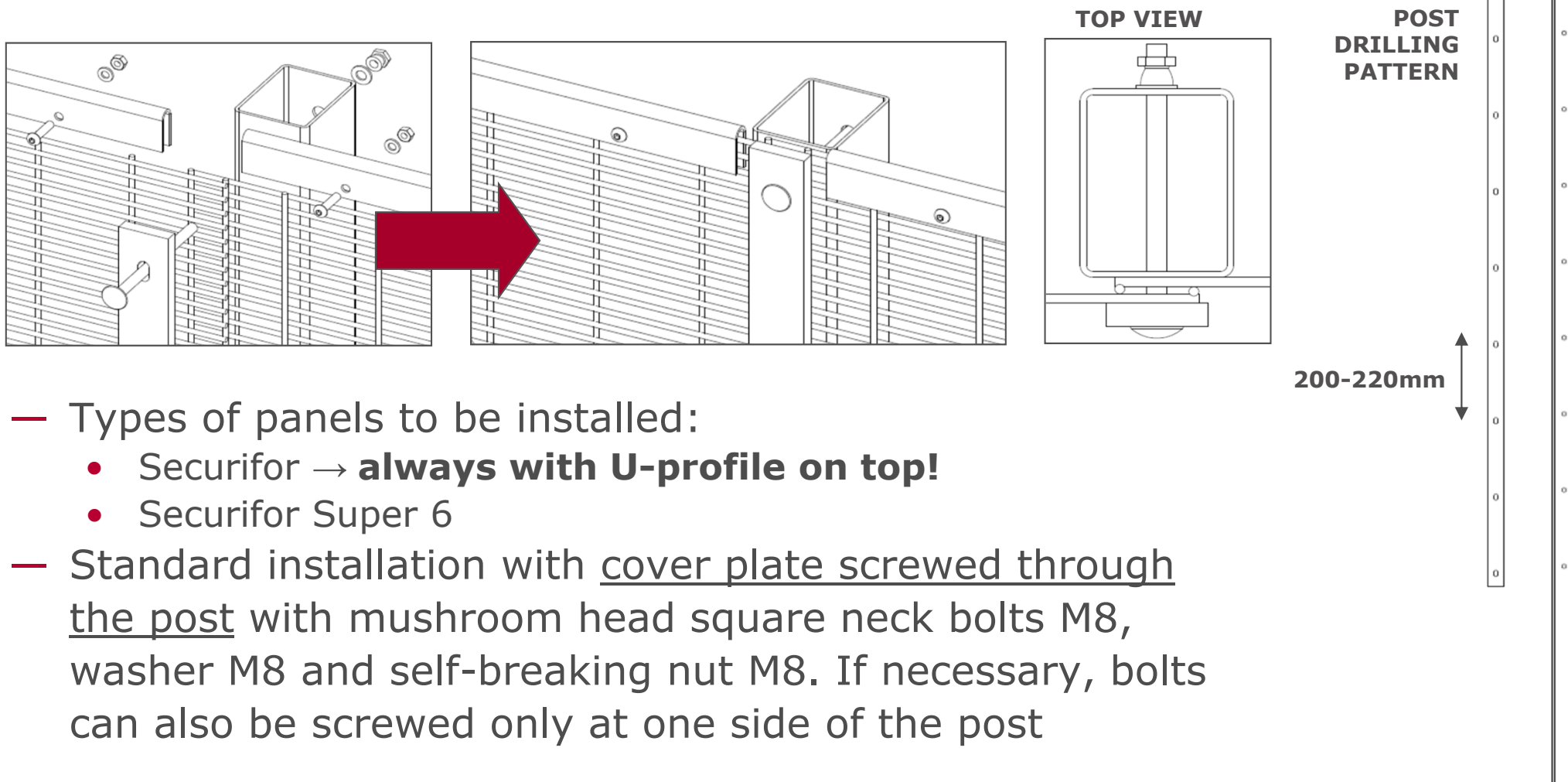
POST
DRILLING
PATTERN

200-220mm

- Types of panels to be installed:
 - Securifor → **always with U-profile on top!**
 - Securifor Super 6
- Standard installation with neoprene strips
- Standard installation with cover plate screwed through the post with mushroom head square neck bolts M8, washer M8 and self-breaking nut M8. If necessary, bolts can also be screwed only at one side of the post (use post with inserts)

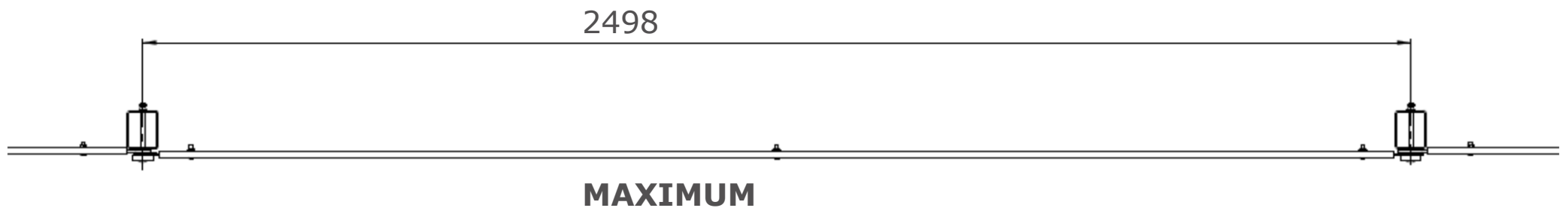
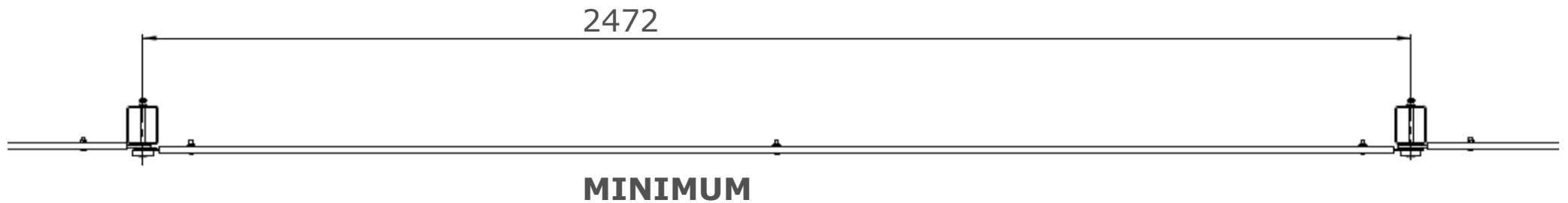
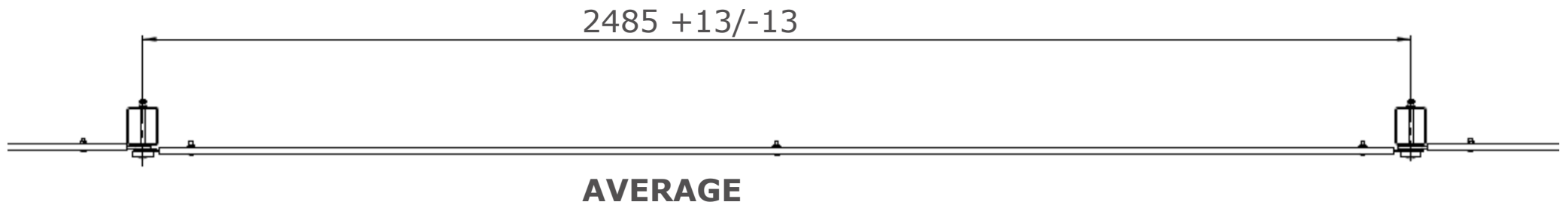
2. Installation of Securifor with rectangular posts

- Installation with cover plates – panels in overlap & in opposite direction:



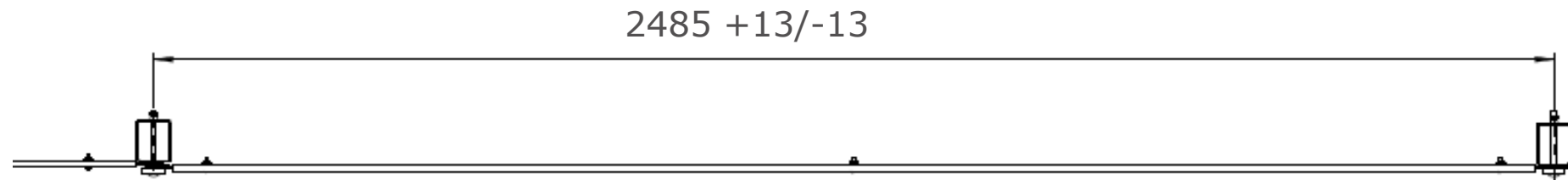
2. Installation of Securifor with rectangular posts

- **Installation with cover plates – panels in overlap:**
 - Positioning of the intermediate posts:

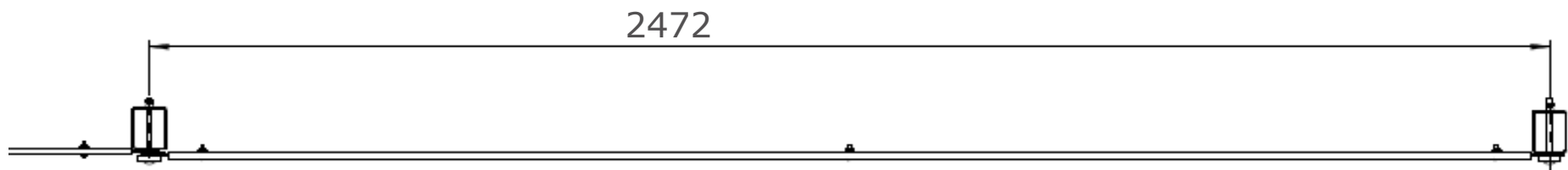


2. Installation of Securifor with rectangular posts

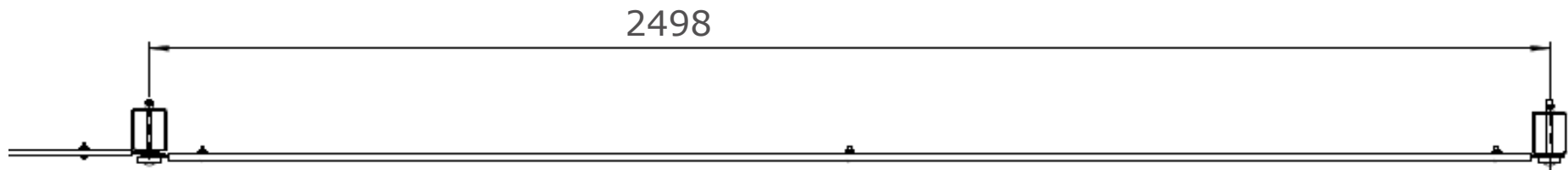
- **Installation with cover plates – panels in overlap:**
 - Positioning of the end posts:



AVERAGE



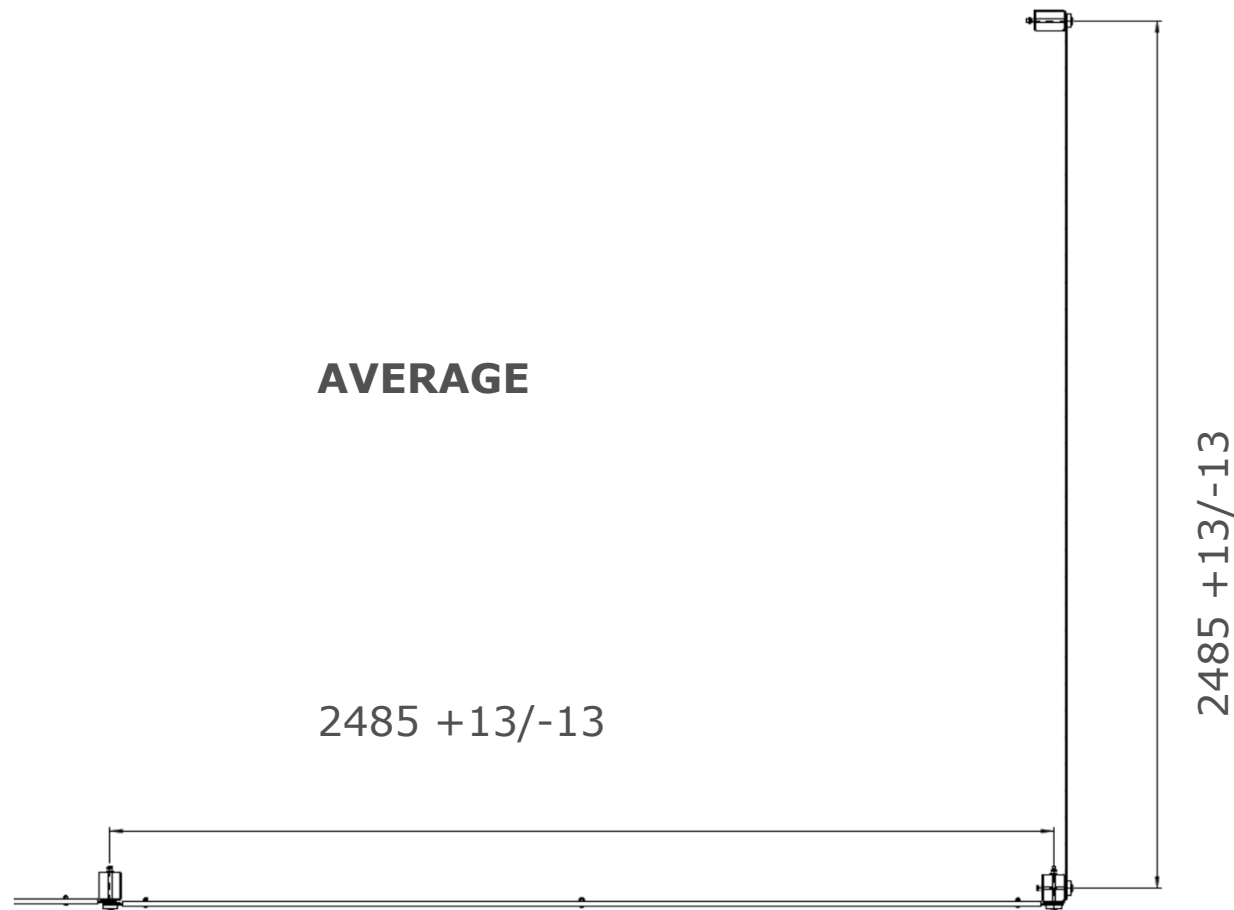
MINIMUM



MAXIMUM

2. Installation of Securifor with rectangular posts

- **Installation with cover plates – panels in overlap:**
 - Positioning of the corner posts:



2. Installation of Securifor with rectangular posts

- Installation with cover plates – panels in overlap:



2. Installation of Securifor with rectangular posts

■ Installation with cover plates – panels in overlap:

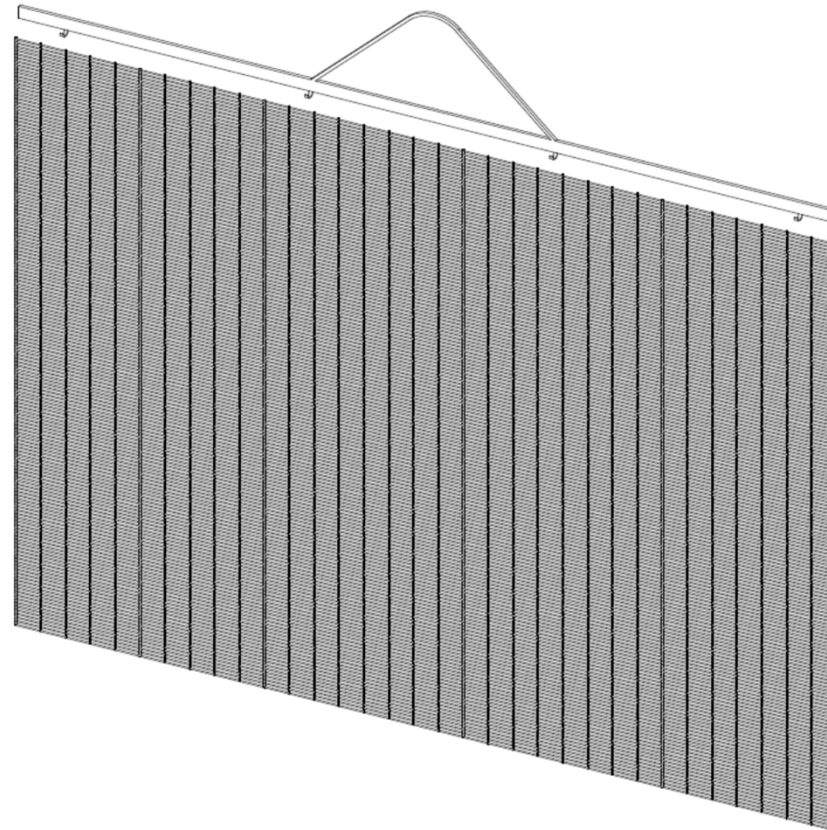
Install the panels

1. Lift up the panel

Lifting the panel can be done by hand for the lower range or by using a crane for bigger heights.

Make sure the panel is lifted on multiple points so it can not fold in the middle.

Preferably use a triangle shaped slat to take up the panel in a flat way.



2. Installation of Securifor with rectangular posts

■ Installation with cover plates – panels in overlap:

Install the panels

2. Use the installation tool to hang the panel on

The installation tool makes it possible to support the panel in a perfect position, align it horizontally and screw the fixators to the posts without having to hold the panel manually. It can be removed before the last bolt on top of the post is screwed. (For ease of installation, you need 3 pieces)

3. With installation tool

1. First glue the neoprene strips on 1 side of the inserts. (Only for panels in the same direction)
2. Hang the first panel and install a cover plate on the first post with 2 bolts (top & bottom)
3. Glue the neoprene strips on the first panel near the second post. Position the strips to the one side of the inserts. (Only for panels in the same direction)
4. By using the installation tool on the first 3 posts, you can now already hang the second panel! Install a cover plate on the second post with 2 bolts (top & bottom)
4. Install all other bolts on the first post. If the level is checked and ok, fix the bolts properly
5. Change the installation tool from the first to the fourth post and hang up the third panel. Fix a cover plate to the third post with 2 bolts (top & bottom)
6. Fix all bolts to the cover plate on the second post
7. For the next posts and panels: repeat these steps as described above



2. Installation of Securifor with rectangular posts

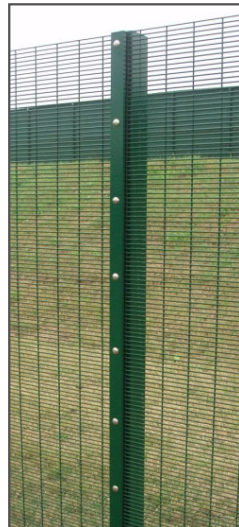
■ Installation with cover plates – panels in overlap:

Install the panels

4. Without installation tool

1. First glue the neoprene strips on 1 side of the inserts. (Only for panels in the same direction)
2. Hang the first panel and install a cover plate on the first post with 2 bolts (top & bottom)
3. Temporarily fix the panel with a bolt to the second post.
4. Install all other bolts to the first post. If the level is checked and ok, fix the bolts properly
5. Glue the neoprene strips on the first panel near the second post. Position the strips to the one side of the inserts. (Only for panels in the same direction)
6. Install the second panel. Remove the bolt on the second post and put a cover plate in place. Fix with 2 bolts. Temporarily fix the second panel with a bolt to the third post
7. Install all other fixators to the second post
8. For the next posts and panels: repeat the steps as described above

It's required to finish the installation with U-profiles when flat Securifor is used, and it's also advised to add a fixation at the bottom. (see page 50 for possible solutions)



2. Installation of Securifor with rectangular posts

- **Installation with cover plates – panels beside each other:**

- Remark

In some cases it can be harder to find the holes for the bolts when installing the cover plates. For ease of installation, it's allowed to use an 'secure' awl or screwdriver to slightly bow the wires of the panel, so the bolts can be mounted.

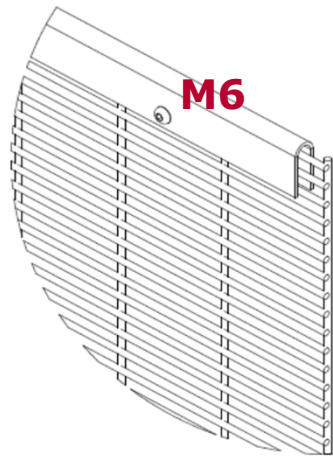


-
- **3. Options**
 - Extra security
 - Special cases

3. Options

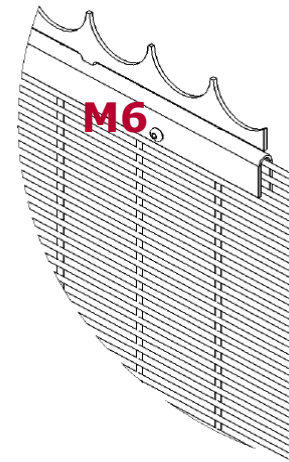
- **Solutions for high security applications:**
 - To get a higher rigidity of the panel at the top

U-profile



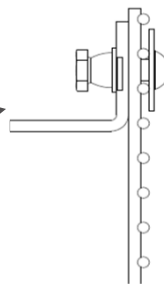
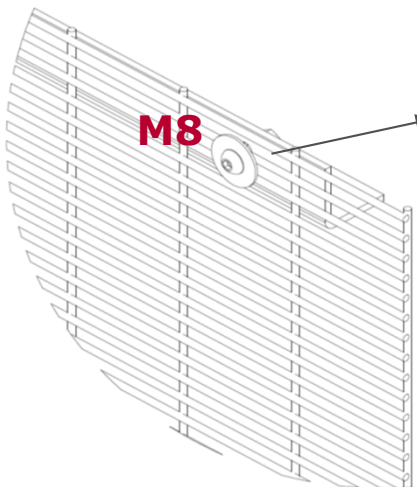
Combination with **SEC FLAT/3D** only
FP = 7078416 (HDG + RAL 6005)
Fixed with bolts ISO 7380 M6x25, M6 washer and nut (all in SS)
Fixation set (50x) (bolts + nuts + washers)
SAP = 7078417
Drawing: SEC49P000006
(See also 1.7 on slide 10)

U-profile with dental strip



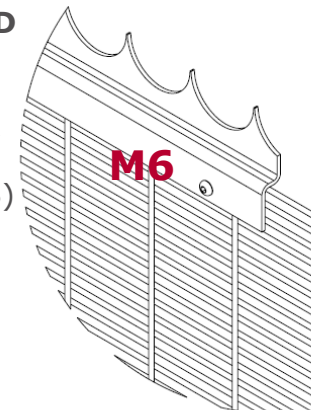
Combination with **SEC FLAT/3D** only
FP = 7078411 (HDG + RAL 6005)
Fixed with bolts ISO 7380 M6x25, M6 washer and nut (all in SS)
Fixation set (50x) (bolts + nuts + washers)
SAP = 7078417
Drawing: SEC49A000001

L-profile



Combination with **SEC 358/2D/3D/4D**
FP = 7064562 (HDG + RAL 6005)
Fixed with bolts ISO 7380 M8x25, thick washer M8x30x1.5 (front), M8 washer DIN125 and self-breaking nut (all in SS)
Fixation set (50x) = 7078421
Drawing: SEC49P301002

Z-profile with dental strip



Combination with **SEC FLAT/2D/3D/4D**
FP = 7076747 (HDG + RAL 6005)
Fixed with bolts ISO 7380 M6x25, M6 washer and nut (all in SS)
Fixation set (50x) (bolts + nuts + washers)
SAP = 7078417
Drawing: SEC49P002002

3. Options

- **Solutions for high security applications:**
 - To get a higher rigidity of the panel at the bottom
 - Fixation at the bottom, for security reasons

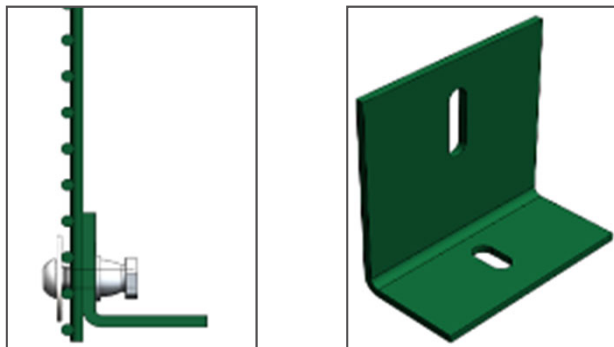
Solutions for a fixation at the bottom

1. H-piece with concrete plate



- Combination with **SEC FLAT/2D/3D/4D**
- FP = 7037165 (HDG + RAL 6005)
- A short H-profile that's sliding over a concrete plate and can be fixed to the Securifor panel
- If the panel and concrete plate are overlapping, a simplified folded piece can be used instead fixed with bolt M8x25 DIN603, washer and self-breaking nut M8
- Fixation set (50x) => SAP 7078421
- Drawing: SEC49P004001

2. L-profile screwed at the bottom

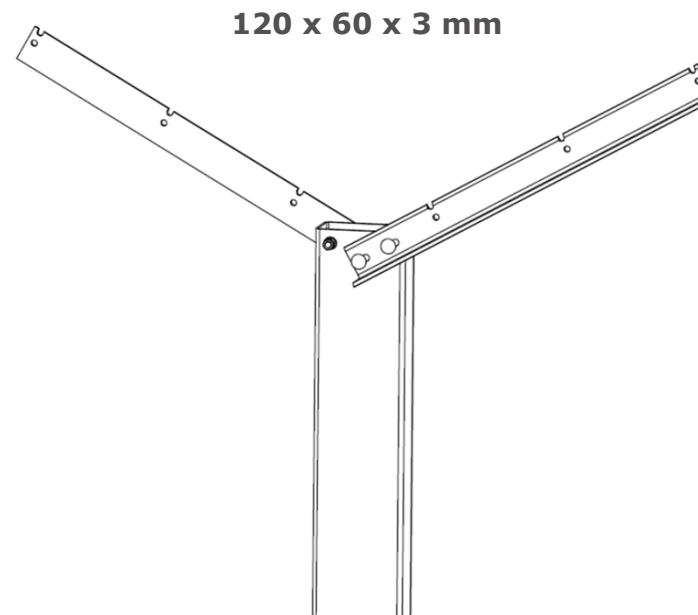
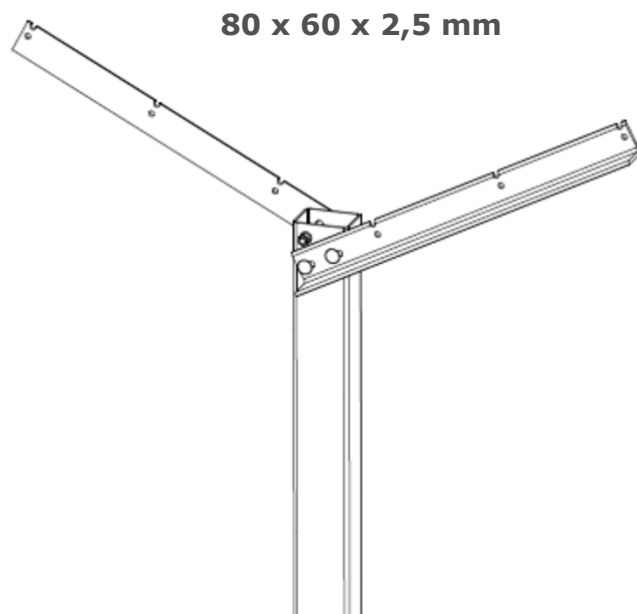
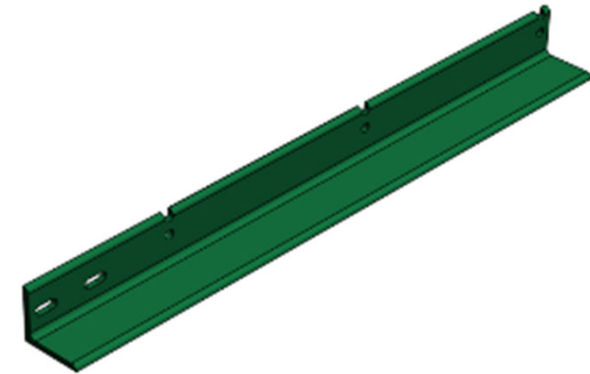


- Combination with **SEC FLAT/2D/3D/4D**
- FP = 7063560 (HDG + RAL 6005)
- An L-profile that's fixed to the bottom of the panel (L = 100x50x4mm)
- Fixed with bolts M8x30 DIN7380, washer ISO M8 7093 and self-breaking nut M8
- Fixation set (50x) => SAP 7078421
- Drawing: SEC49P006001

3. Options

- **Solutions for high security applications:**

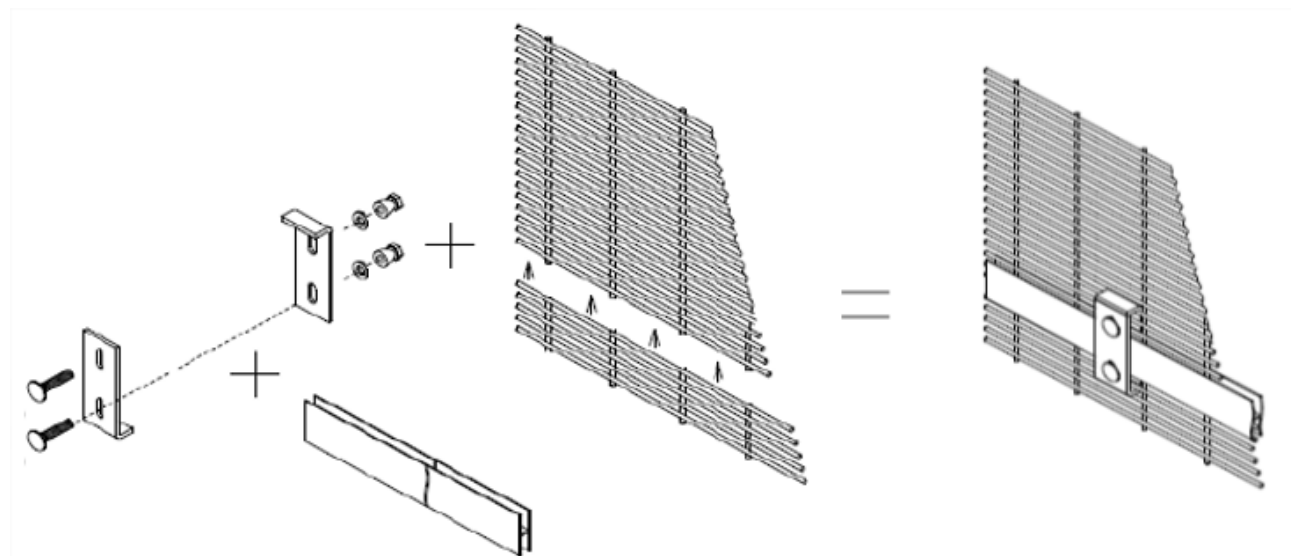
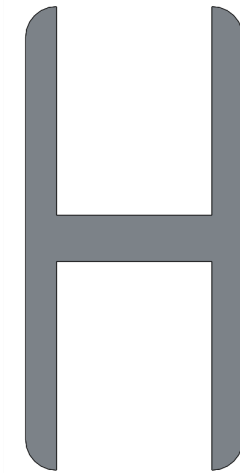
- Extension arms
- FP = 7025620 (HDG + RAL 6005)
- Drawing: SEC34P001001
- Fixation set (50x) => SAP 7064712
 - Mushroom head square neck bolts M8x80mm
+ security nut inox type M8 + washer inox M8
- posts have to be 100mm longer at the top



3. Options

■ Special cases

- H-profile For superposition of Securifor panels
- Joining 2 panels in the vertical plane
- FP= 7035091 (ALU + RAL 6005)
- Drawing: SEC49P008001
- Connection Piece = 7018414 (HDG + RAL 6005)
- Fixing set for connection piece (100x) = SAP 7061583



3. Options

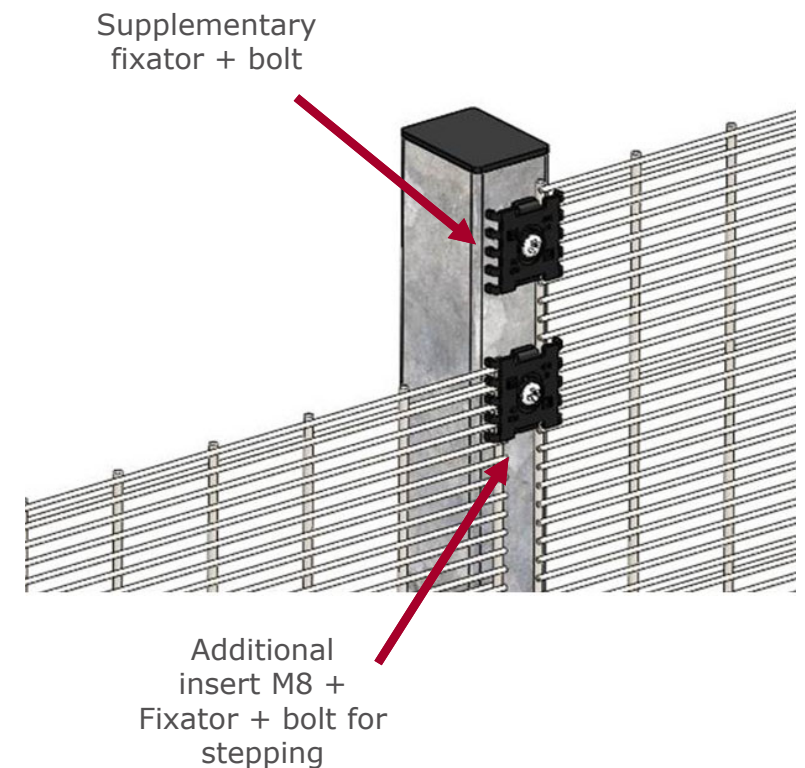
■ Special cases

— Shortening of panels

- If panels have to be shortened, for instance at the end of the fence-line or in the corners, this has to be done by complete meshes. This means by multiples of 76.2mm. The distance between two posts has to be reduced accordingly.

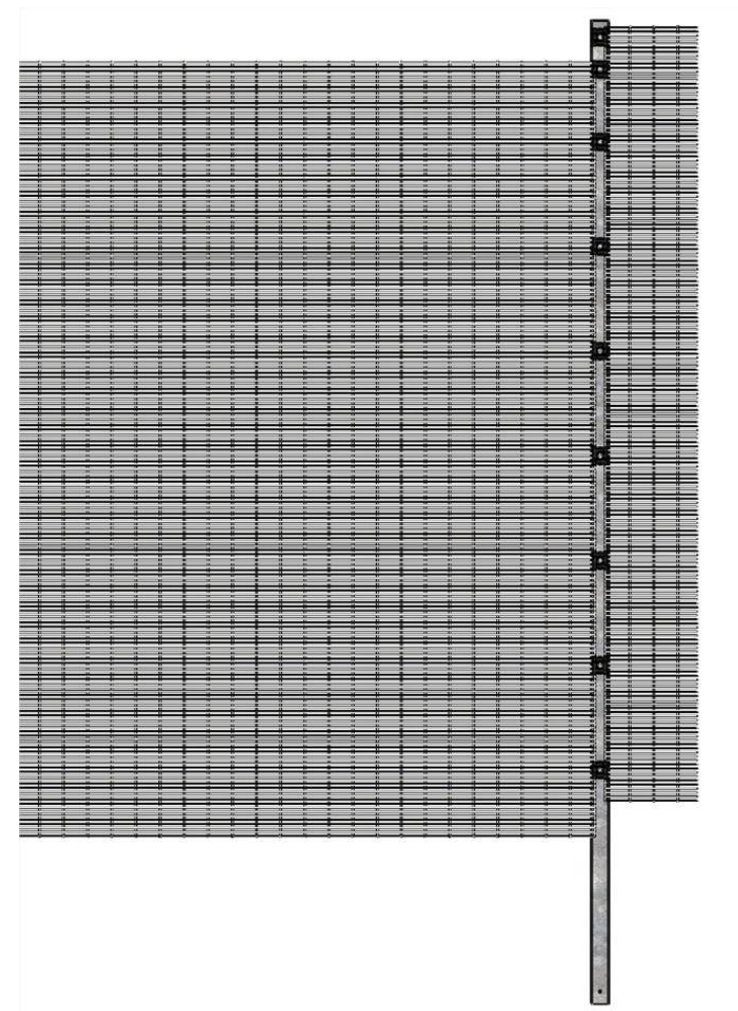
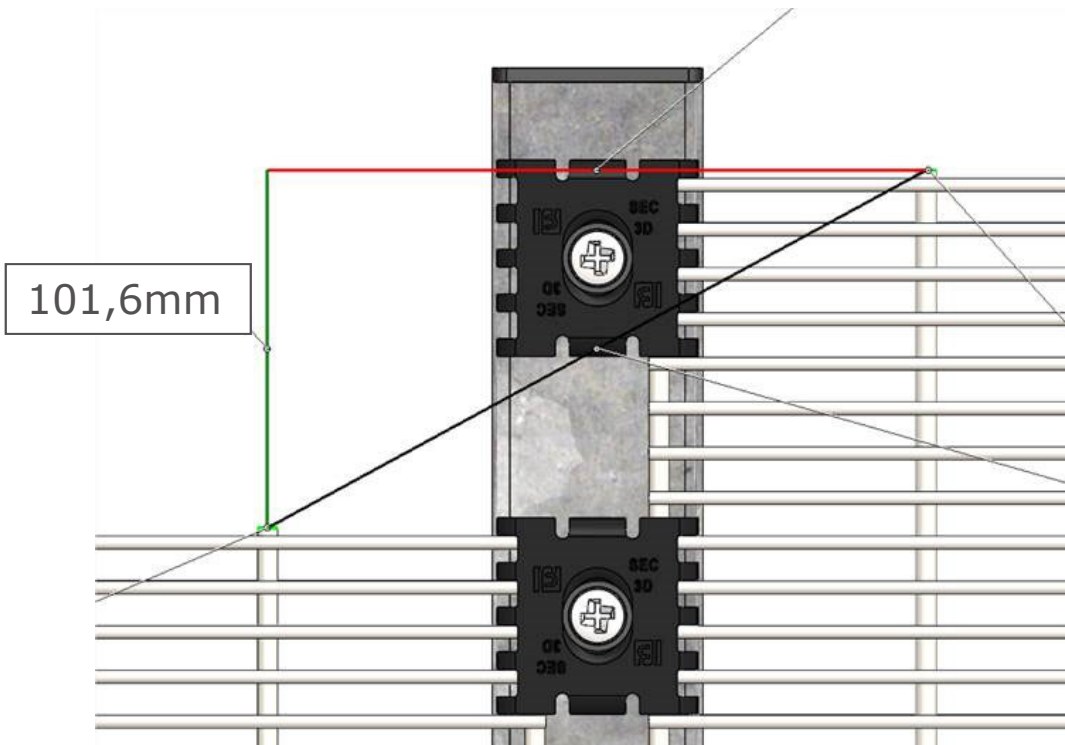
— Slopes

- In case of a slope, we recommend to check the different levels and to decide on the best position and stepping (and the number of steps) to be made.
- A step in height always has to be a multiple of 12.7mm. A step of 330.2mm in height is the maximum recommended.
- Additional Insert M8 for stepping is foreseen on post. It is able to install an extra fixator at that position.
- In case of a slope and with cover plates, longer cover plates have to be made (MTO) with extra holes.



3. Options

- **Special cases**
 - Slopes



IB BETAFENCE